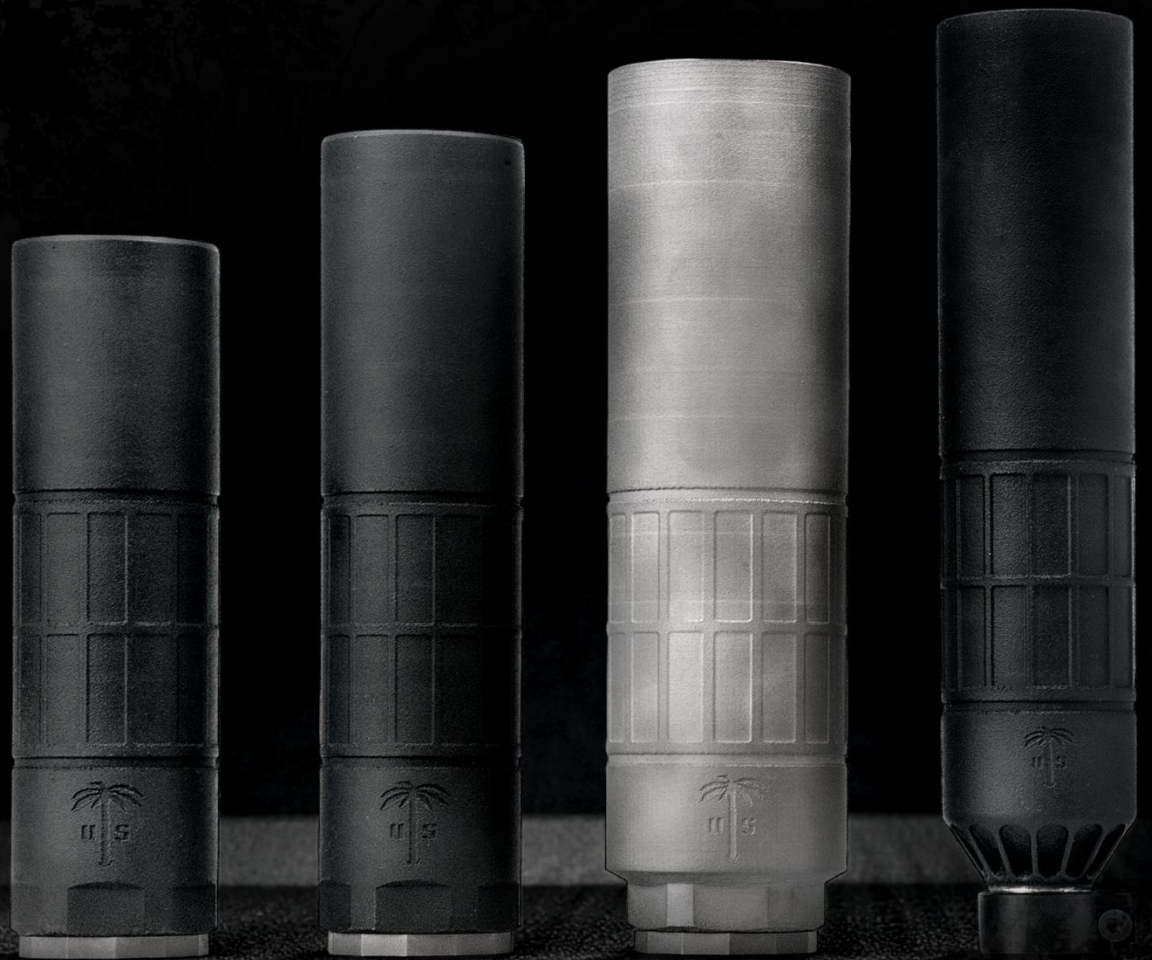


THE EYE OF THE STORM

US PALM EOS SUPPRESSOR MANUAL



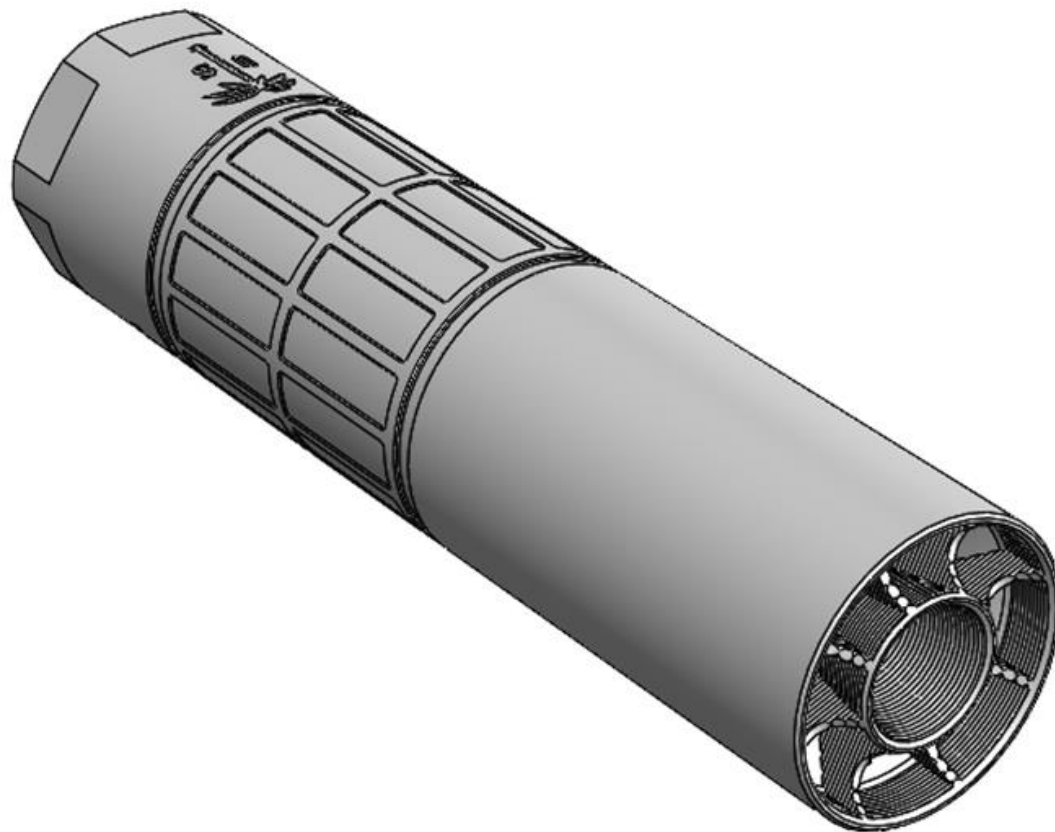
EOS-30

EOS-556

EOS-30Ti

EOS-AK





US PALM EOS SUPPRESSORS

OPERATION & SAFETY MANUAL

DOWNLOAD THIS MANUAL ON OUR WEBSITE: WWW.USPALM.COM
ALWAYS CHECK OUR WEBSITE FOR UPDATED VERSIONS OF OPERATION & SAFETY MANUALS

READ THIS MANUAL AND THE OPERATOR'S MANUAL FOR ANY HOST FIREARM BEFORE USING THIS SUPPRESSOR.

DO NOT DISCARD THIS MANUAL.

TRANSFER THIS MANUAL WITH THE SUPPRESSOR UPON CHANGE OF OWNERSHIP.



UNIQUE. AUTHENTIC. PROVEN.

CONGRATULATIONS on your purchase of your US PALM Suppressor!

Read and understand all warnings, operation instructions, and safety procedures in this manual. Keep this manual with the suppressor for future reference.

**FIREARMS SAFETY IS THE SOLE RESPONSIBILITY OF THE SHOOTER.
TREAT FIREARMS AS IF LOADED AT ALL TIMES!**



CONTENTS

SAFETY WARNINGS	4
TRANSPORTATION AND STORAGE	10
AMMUNITION	11
SPECIFICATIONS	13
NOMENCLATURE	14
PREPARATION FOR USAGE	15
MOUNTING	16
REMOVAL	17
HUB MOUNTS	18
BORE ALIGNMENT	19
EOS-AK	20
CLEANING AND MAINTENANCE	21
LIMITED LIFETIME WARRANTY	22
RETURN AUTHORIZATION	23
CALIFORNIA WARNINGS	24



FIREARMS SAFETY



RULE #1 ALWAYS KEEP THE MUZZLE POINTED IN A SAFE DIRECTION

This is the most basic and most important safety rule. A safe direction is one in which an accidental discharge will not cause injury to yourself, to others or property damage. Never point your gun at anything you do not intend to shoot. Treat every gun as if it were loaded at all times.



RULE #2 TRIGGER FINGER DISCIPLINE

Along with Rule #1 this is the most critical safety rule. Fingers must be kept outside of the trigger guard and NOT touching the trigger until you are on target and have made the decision to fire. Safe handling practice dictates that this rule must be followed AT ALL times regardless of load status or location. Don't rely on your firearm's safety. The "safety" on a firearm is a mechanical device which, like any such device, can become inoperable and fail to function. Never pull the trigger when the safety is engaged or when the safety is positioned between the "SAFE" and "FIRE" positions.



RULE #3 BE SURE OF YOUR TARGET AND BE AWARE OF ANYTHING BEHIND THE TARGET

Once fired, a bullet can never be called back. Before you shoot, know where the bullet is going and what it will strike. Be certain your shot will not injure someone or strike something beyond the target. Never fire in the direction of noise, a movement or at any object you cannot positively identify.



FIREARMS SAFETY - Continued



RULE #4 FIREARMS SHOULD BE UNLOADED WHEN NOT IN USE

Firearms should only be loaded when you are in the field or on the target range or shooting area, ready to shoot. When not in use, firearms and ammunition should be secured in a safe place, separate from each other. Remember to unload your firearm completely so that there is no ammunition in the chamber or magazine. Before handling this or any firearm, or handing it to someone else, visually check the chamber. Never assume a gun is unloaded - even if you were the last person to use it. Never cross a fence, climb a tree, wade through a stream or perform any awkward movement with a loaded gun. When in doubt, unload your gun! Never pull or push a loaded firearm toward yourself or another person. Never carry a loaded gun in a scabbard, a holster not being worn or a gun case - common sense prevails in gun safety!



RULE #5 USE THE CORRECT AMMUNITION

Every firearm is designed to use a certain caliber or gauge of ammunition. It is important that you use the correct ammunition for your firearm. Information on the correct ammunition to use with your firearm appears in the firearm's instruction manual and the manufacturer's markings on the firearm itself. Use of the wrong ammunition, improperly reloaded ammunition or corroded ammunition can result in the destruction of the firearm, serious personal injury and/or death. Form the habit of examining every round of ammunition before you put it into your gun to ensure it is of the proper gauge or caliber and that it is in good condition. More information about ammunition warnings and cartridge compatibility is available from ammunition manufacturers and the Sporting Arms And Ammunition Manufacturers Institute ("SAAMI").



FIREARMS SAFETY - Continued



RULE #6 BE SURE THE BARREL IS CLEAR OF OBSTRUCTIONS BEFORE SHOOTING

Discharging a firearm with an obstruction in the barrel can result in personal injury, property damage, and/or death. Mud, snow, or excess lubricating oil or grease in the bore can cause excessive pressures resulting in a bulged or burst barrel which can injure or kill the shooter and bystanders. It is a good idea to make a habit of cleaning the bore and checking for obstructions with a cleaning rod just before each shooting session. If the noise or recoil experienced upon firing seems low or weak, or something doesn't feel "right," cease firing immediately and check to make sure that there is no obstruction in the barrel.



RULE #7 DO NOT ALTER OR MODIFY YOUR GUN

Firearms are complex mechanisms that are designed to function properly in their original condition. Any alterations or changes made to a firearm after its manufacture can make the gun unsafe and will void its warranty. Do not jeopardize your safety or the safety of others by altering the trigger, mechanical safety or other mechanisms of your firearm. It is recommended that any maintenance beyond what is contained in this manual be performed by a qualified gunsmith.



RULE #8 LEARN THE MECHANICAL AND HANDLING CHARACTERISTICS OF YOUR FIREARM

Not all firearms operate the same way. The method of carrying, handling and operating firearms varies with the mechanical characteristics of each gun. Thus, you should never handle any firearm until you become familiar with the safe handling, loading, unloading and carrying procedures for that firearm, as well as the rules for safe gun handling in general.



FIREARMS SAFETY - Continued



RULE #9 IF YOUR GUN FAILS TO FIRE WHEN THE TRIGGER IS PULLED, HANDLE WITH CARE

If a cartridge does not fire when the trigger is pulled, follow Rule #1 and keep the firearm's muzzle pointed in a safe direction. Keep the muzzle down range with the action closed and wait at least 30 seconds (to ensure that the ammunition is not delayed in firing) before carefully opening the action, taking care to avoid exposure to the breech area and unloading the firearm and safely disposing of the ammunition.



RULE #10 ALWAYS WEAR EYE AND EAR PROTECTION WHEN SHOOTING

Exposure to shooting noise can permanently damage hearing. Flying debris, such as powder residue and ejected cartridge cases, can injure your eyes. Thus, it is only common sense to wear both eye protection (such as shooting glasses) and ear protection (such as a sound-muffling headset) whenever shooting. Also, wear eye protection when cleaning or disassembling your gun to ensure that cleaning solvent and tensioned parts (such as springs) do not come into contact with your eyes.



WARNING! BURN RISK

Suppressor is hot after use, allow the suppressor to cool before removal and/or service. If suppressor must be removed or installed when hot, protective gloves should be worn. Failure to follow these directions may result in severe burns to any unprotected skin. Be aware that a hot suppressor will damage anything it rests against. Contact with a suppressor during or after firing will cause significant skin burns and will damage heat sensitive objects. Identify an appropriate location to rest your suppressed firearm after firing to maintain a safe muzzle direction and to avoid burns. Touching a hot suppressor with bare skin may result in injury. Never hold the suppressor during firing.



FIREARMS SAFETY - Continued



LEAD WARNING!

Discharging firearms in poorly ventilated areas, cleaning firearms or handling ammunition may result in exposure to lead and other substances known to cause birth defects, reproductive harm and other serious injuries. Have adequate ventilation at all times when shooting. Wash hands thoroughly after exposure.



WARNING! STOP SHOOTING IMMEDIATELY AND UNLOAD YOUR FIREARM

If your firearm develops a mechanical malfunction, binds or stops, spits powder/gas, a cartridge primer is punctured, a cartridge case is bulged or ruptured, or the sound on firing does not sound quite right, DO NOT try one more shot. Unload your firearm and take it and the ammunition to a qualified gunsmith or send it back to the manufacturer for examination. Do not assume that the firearm is empty because you checked the chamber. You must also check the bore for an obstruction.



WARNING! ALWAYS ENSURE THAT THE AMMUNITION YOU ARE USING IS CLEAN, UNDAMAGED, AND OF THE PROPER CALIBER BEFORE LOADING YOUR FIREARM.

The manufacturer and distributor of this suppressor disclaim any liability for the use of remanufactured, reloaded or hand-loaded ammunition. Protect your investment by using only factory fresh, quality ammunition. The use of improper caliber or low-quality ammunition could result in injury, death, and/or property damage upon firing. Follow all warnings provided by the manufacturer of the ammunition you are using.



FIREARMS SAFETY - Continued



WARNING! ALCOHOL, DRUGS, AND GUNS DON'T MIX!

Never handle firearms after consuming alcohol or taking drugs that can affect your judgment. Shoot sober! Safe firearms handling requires alertness and concentration on one's actions. Never consume anything that can impair your judgement or physical coordination when handling a firearm.



WARNING! NEVER MODIFY ANY OF THE COMPONENTS OF YOUR SUPPRESSOR UNLESS SPECIFICALLY INSTRUCTED TO DO SO IN THIS MANUAL.

Changes not covered in this manual will require a qualified gunsmith (or factory-trained personnel) using factory-authorized parts. Improper manipulation of any component of the suppressor may result in faulty functioning, possibly leading to injury or death of the shooter and/or bystanders and damage to property.



WARNING! THE USER MAY EXPERIENCE AN UNINTENTIONAL DISCHARGE IF THE FIREARM IS DROPPED OR IT RECEIVES A BLOW TO THE FIREARM ONCE A ROUND IS CHAMBERED. An unintentional discharge can occur regardless of the position of the manual safety. An unintentional discharge could result in death or injury to the shooter or bystanders and damage to property.



WARNING! WATER EXPOSURE

If submerged in water, the user must allow sufficient time to drain the suppressor completely. Using a suppressor containing water or other fluids will destroy the suppressor and firearm and cause injury or death to the user and bystanders.



WARNING! SUPPRESSORS REDUCE SOUND SIGNATURE

Take extra caution in environments where it's possible for bystanders to potentially cross the line of fire such as when hunting or operating outside of traditionally controlled firing ranges.



TRANSPORTATION AND STORAGE



WARNING! ALWAYS POINT THE MUZZLE OF THE FIREARM IN A SAFE DIRECTION.



WARNING! FIREARMS ARE DANGEROUS WHEN STORED IMPROPERLY.

Firearms can be especially dangerous to children when they are stored in an unsafe manner. For your safety and the safety of others, it is important that you keep your firearm unloaded and locked from unauthorized access in a secure location. Ammunition should be stored separately.

YOUR FAILURE TO FOLLOW THESE RULES MAY RESULT IN SERIOUS INJURY OR DEATH TO YOU OR OTHERS.



WARNING! NEVER TRANSPORT A LOADED FIREARM.

When transporting your firearm, be sure it is unloaded and secured in a proper case or vehicle trunk.



NOTICE: ALWAYS FOLLOW THE LAW! Many jurisdictions have laws that make it a crime to keep a firearm accessible to children or others. Keeping a firearm unloaded and locked when not in use is not only common-sense safety practice, IT IS THE LAW! You must be familiar with all local, state, and federal laws regarding the safe storage and transportation of your firearm.



NOTICE: SUPPRESSORS ARE NOT LEGAL IN ALL STATES! Suppressors are not legal to possess in all jurisdictions. It is your responsibility to familiarize yourself with all applicable local, state, and federal laws regarding the possession and transportation of your suppressor.



AMMUNITION



WARNING! ONLY USE AMMUNITION SPECIFICALLY DESIGNATED FOR USE IN YOUR FIREARM!

Failure to use the correct caliber of ammunition may destroy your suppressor or host firearm, causing personal injury or death to the shooter or bystanders.



WARNING! A ROUND OF AMMUNITION NOT INTENDED FOR YOUR FIREARM MAY FIT INTO THE CHAMBER.

Firing this ammunition will destroy the firearm, resulting in personal injury or death to the shooter or bystanders and damage to other property.

For information about unsafe caliber combinations, refer to Sporting Arms and Ammunition Manufacturers' Institute (SAAMI) at <https://saami.org>.



WARNING! NEVER USE NON-STANDARD, RELOADED OR HANDLOADED AMMUNITION

Reloaded or handloaded ammunition may have manufacturing and quality defects. Any ammunition that is improperly manufactured or reloaded may fail to fire or may generate excessive pressure which can destroy the firearm causing personal injury or death to the shooter or bystanders. Ammunition used should always be in compliance with established performance and quality standards. Sporting Arms and Ammunition Manufacturers' Institute, Inc. (SAAMI) standards govern factory specifications for the U.S. market.



WARNING! DEATH, SERIOUS INJURY, AND PROPERTY DAMAGE CAN RESULT FROM BORE OBSTRUCTIONS.

Only use high-quality, dry, and appropriately stored factory-loaded ammunition. Firearms can be severely damaged from the use of incorrect cartridges, overcharged ammunition, or poorly assembled cartridges. Undercharged ammunition can lead to a "stuck bullet" condition in which a projectile becomes lodged in the bore. Discharging a firearm with a bore obstruction can result in serious injury or death.



WARNING! THE USE OF FRANGIBLE OR UNJACKETED LEAD AMMUNITION IS NOT RECOMMENDED

Frangible ammunition can increase the risk of a baffle strike and is not recommended for use with suppressors. Unjacketed lead ammunition can cause lead buildup over time reducing suppressor effectivity and leading to a potential baffle strike.



AMMUNITION - Continued

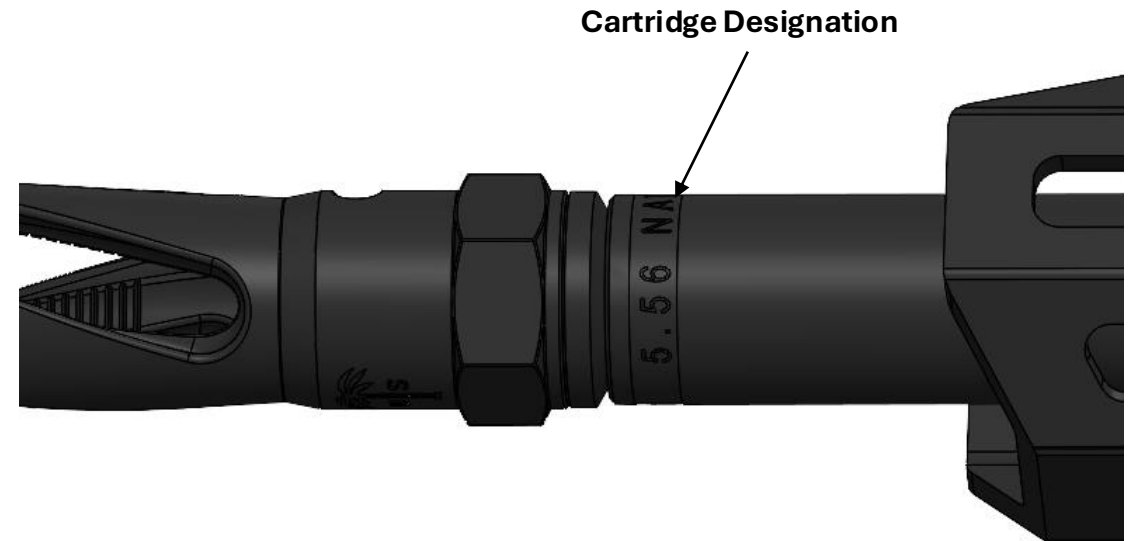


WARNING! ONLY USE AMMUNITION SPECIFICALLY DESIGNATED FOR USE IN YOUR FIREARM!

Failure to use the correct caliber of ammunition may destroy your suppressor and/or host firearm, causing personal injury or death to the shooter or bystanders.

Locate the cartridge designation on the firearm. This designates the correct ammunition that must be used in your firearm. This is often found on the barrel, receiver or both. See example below.

Use only quality ammunition that meets SAAMI, NATO, or CIP standards.



SPECIFICATIONS

MODEL	CALIBER	MATERIAL	DIAMETER (in)	OAL (in)	WEIGHT (oz)	MAX CALIBER RATING	FULL AUTO RESTRICTION	BARREL LENGTH RESTRICTION
EOS-556	5.56x45mm	718 Inconel	1.6"	5.6"	12.5 oz	5.56 NATO	None	None
EOS-30	7.62x51mm	718 Inconel	1.6"	6.5"	14.7 oz	300 WIN. MAGNUM	None	None
EOS-30TI	7.62x51mm	Titanium	2"	7.3"	10.8 oz	300 WIN. MAGNUM	300BLK Subsonic	None
EOS-AK	7.62x39mm	718 Inconel	1.6"	7.5"	15.4 oz	7.62x54R	None	None

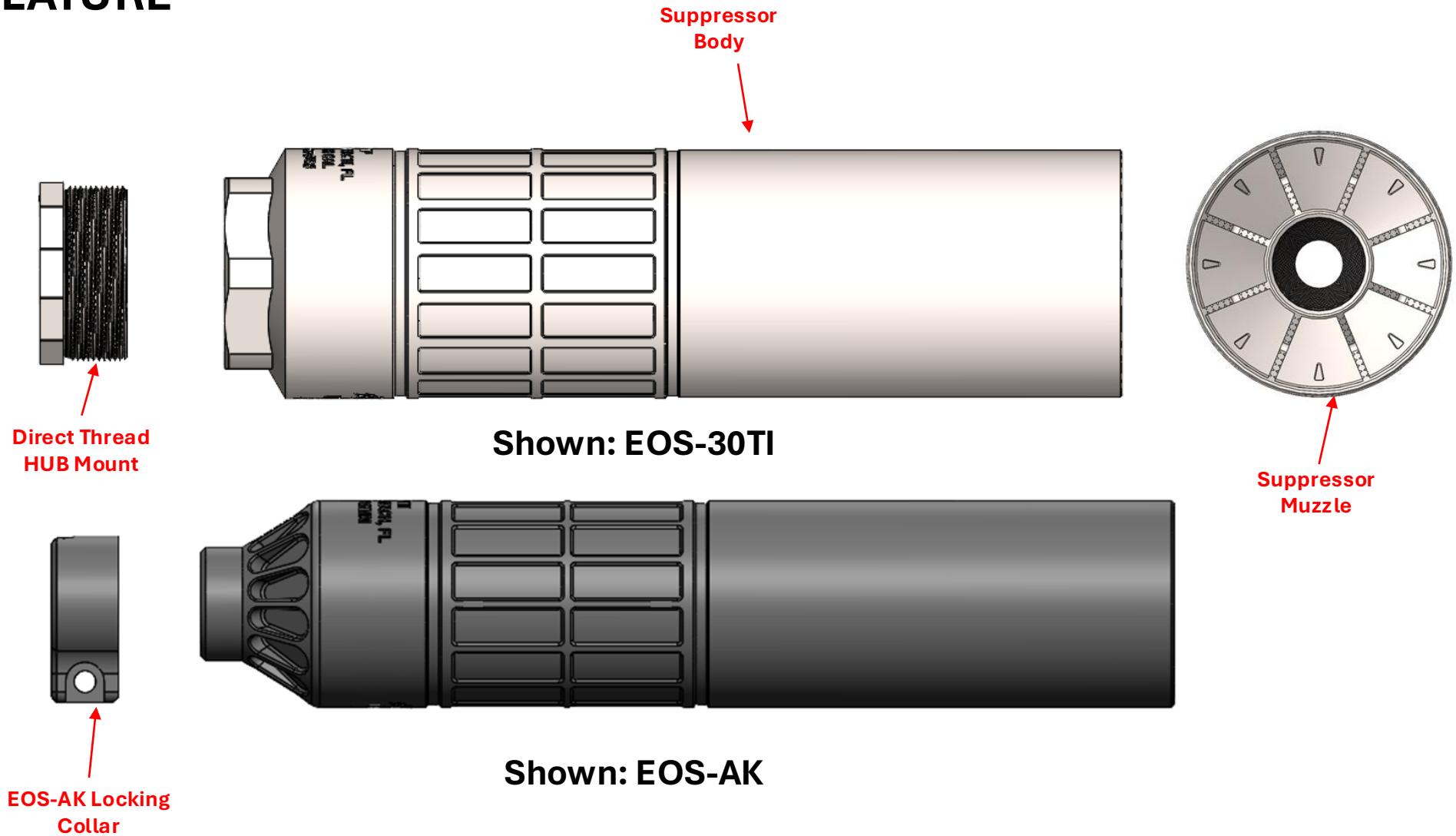


WARNING! SUPPRESSORS DESIGNED FOR FULLY AUTOMATIC FIRING CAN BE DAMAGED UNDER EXCESSIVE FIRING SCHEDULES

Fully automatic firing modes generate enormous amounts of heat. It is recommended to operate in short bursts. 718 Inconel will regularly operate in excess of 1300°F and can tolerate temperatures of up to 1800°F for short periods. Extended usage in the upper temperature ranges can lead to early baffle erosion. If the suppressor begins to glow it is recommended to allow the suppressor to cool to prevent damage to the suppressor.



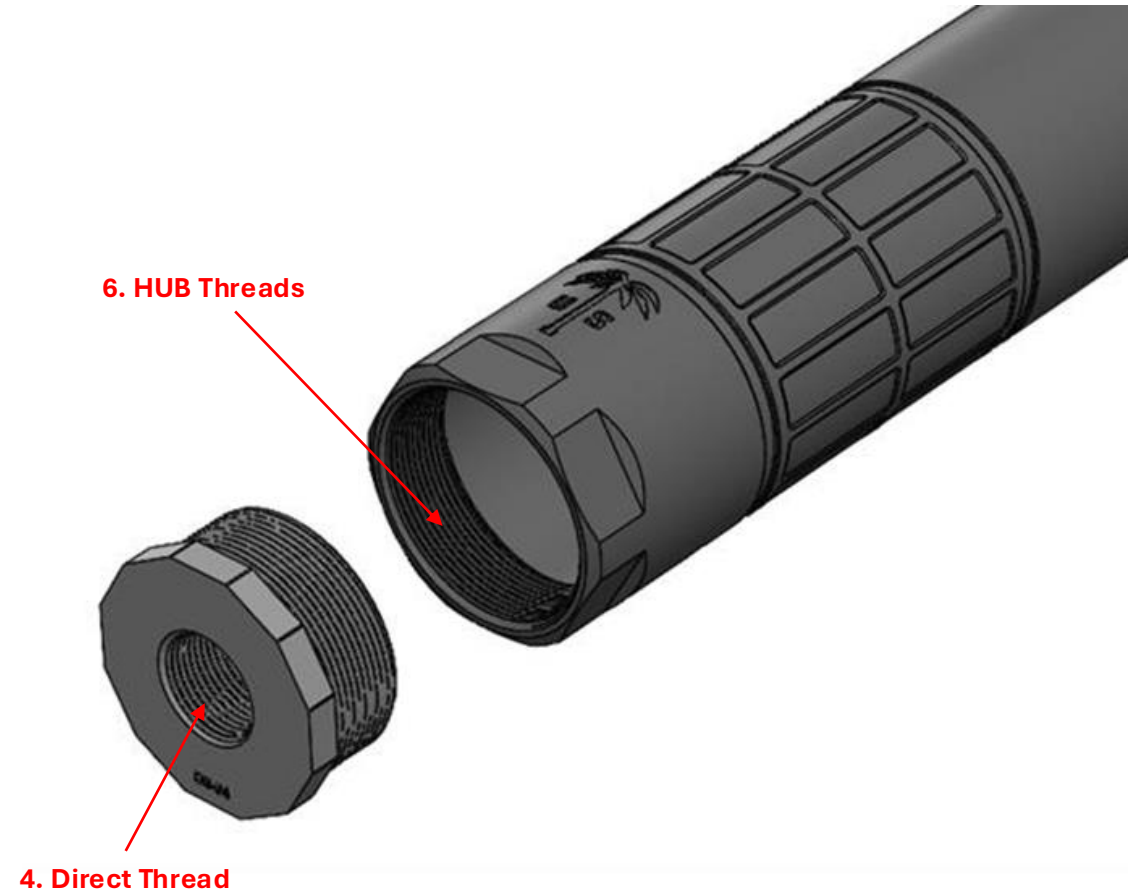
NOMENCLATURE



PREPARATION FOR USAGE

Your US Palm EOS suppressor is intended to be affixed to the muzzle of your firearm. Suppressors may be attached directly to your firearm's barrel or utilizing applicable adaptors or muzzle devices. The following steps outline preparation for proper installation of your US Palm Suppressor.

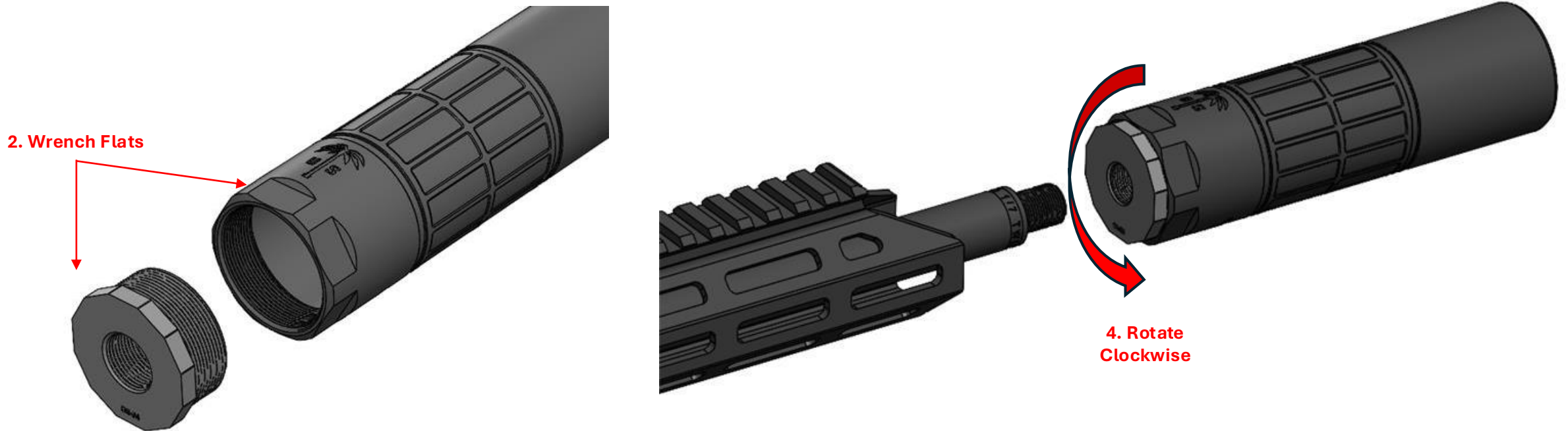
1. Verify that your host firearm is unloaded with the magazine removed and the safety engaged.
2. Verify the caliber of your host firearm. This is typically located on your lower receiver and/or your barrel. The caliber must be compatible with the suppressor. (See Page 13.)
3. Consult the user manual of your host firearm to confirm the thread pattern of the barrel.
4. If installing the suppressor directly to the host firearm's barrel, ensure that your HUB direct thread adaptor thread pitch matches the host firearm.
5. Verify that the host firearm's threads are clean and free of debris.
6. Verify that your US Palm Suppressor's HUB threads are clean and free of debris.



MOUNTING

Direct Thread Barrel Installation

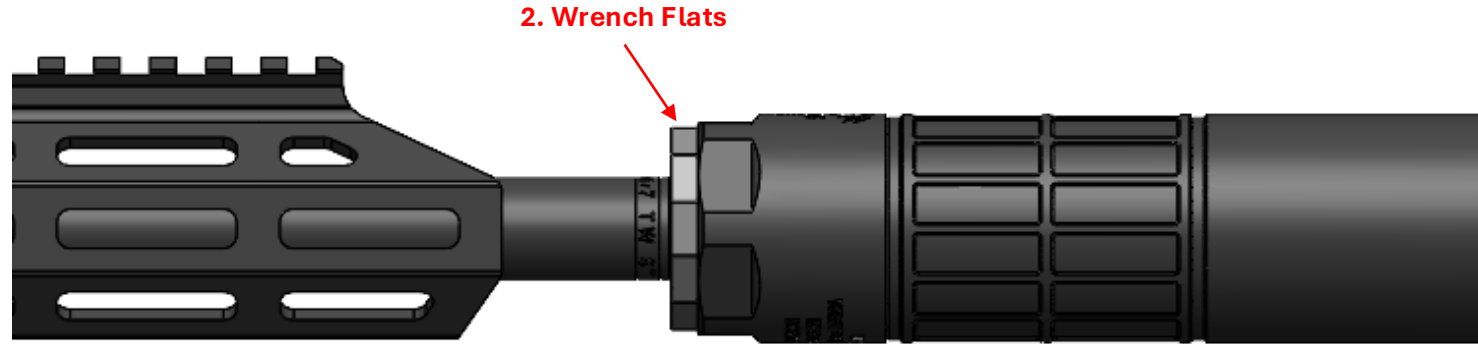
1. Insert your HUB compatible direct thread mount into the HUB compatible body of the suppressor.
2. Using appropriately sized wrenches, tighten the direct thread mount to approximately 30 ft-lbs.
3. Screw the suppressor onto the barrel until it reaches the barrel's shoulder. Proper alignment requires a firm mount against the 90-degree barrel shoulder.
4. Hand tighten the suppressor firmly. Note that a direct thread suppressor may loosen under fire over time and should be periodically checked to ensure that the suppressor is still firmly mounted. Remember a suppressor will be extremely hot during and after firing, so use heat resistant gloves or other material to tighten a hot suppressor.



REMOVAL

Direct Thread Barrel Removal

1. Wait for the suppressor to cool after use and ensure the firearm is completely unloaded with the magazine removed and the safety engaged.
2. Using a wrench of appropriate size, loosen the suppressor until it can be removed from the barrel by hand.
3. Remove the suppressor from the barrel, taking care not to damage the threads.
4. Inspect the suppressor for any damage to baffles or possible obstructions before storing.



WARNING! ALWAYS KEEP THE MUZZLE OF THE FIREARM POINTED IN A SAFE DIRECTION.



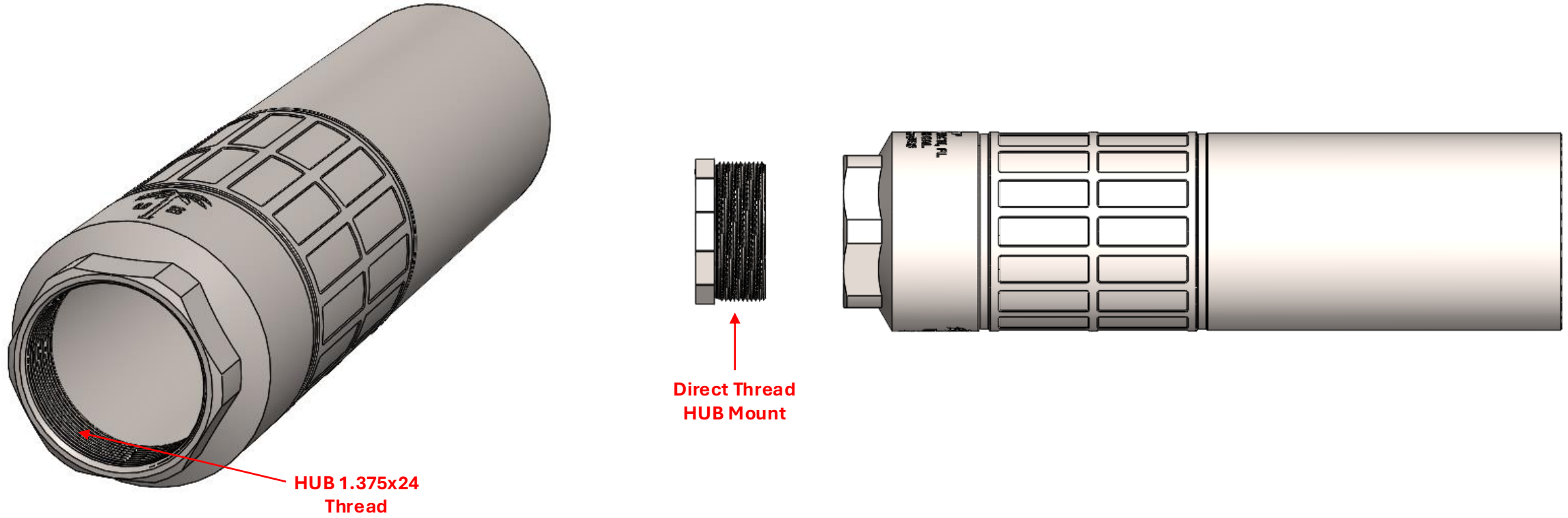
DANGER! DO NOT TOUCH A HOT SUPPRESSOR WITHOUT ADEQUATE PROTECTION.

Never attempt to remove a suppressor when hot without adequate protection. Suppressors can reach temperatures above 500°F. Direct contact with skin can lead to severe burns.



HUB MOUNTS

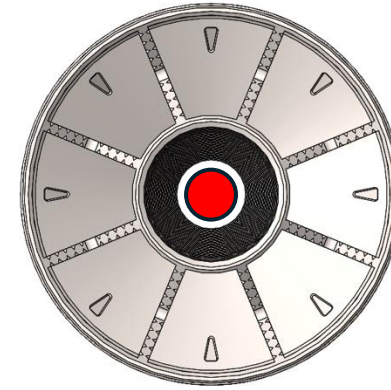
If equipped, your US Palm suppressor may include Hybrid Universal Base compatibility, or HUB for short. HUB utilizes a 1.375x24 thread machined into the body of your suppressor. The HUB system allows for a variety of mounting options including both direct thread and quick-detach mounts. US Palm suppressors are designed to accommodate a wide variety of HUB compatible muzzle devices. Always ensure that your selected muzzle device is not in contact with the suppressor's baffles after installation. This can lead to damage to the suppressor or host firearm.



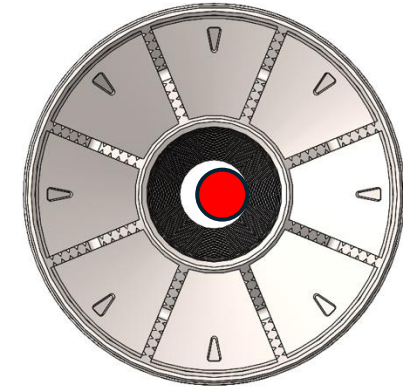
BORE ALIGNMENT

Before firing your US Palm suppressor on a new host firearm, use a bore alignment rod to verify the alignment between your barrel bore and suppressor. If you are unsure if your suppressor is properly aligned, call customer service or consult with a professional gunsmith prior to use.

1. Verify that your host firearm is unloaded with the magazine removed and the safety engaged.
2. Attach the suppressor to your host firearm.
3. Insert the alignment rod from the muzzle end into the muzzle of the suppressor. Note; resistance implies an alignment issue that must be addressed before shooting.
4. With the rod fully inserted, inspect for proper alignment. If you are unsure of the result, consult a professional gunsmith prior to use.
5. Remove the alignment rod then visually and physically inspect that the chamber of your firearm is clear of obstruction.



Properly Aligned



! Misaligned



DANGER! DO NOT FIRE A SUPPRESSOR ON A NEW HOST FIREARM WITHOUT VERIFYING ALIGNMENT.

Misalignment can lead to a baffle strike which can cause severe damage to the suppressor and may result in severe personal injury.



WARNING! ALWAYS KEEP THE MUZZLE OF THE FIREARM POINTED IN A SAFE DIRECTION.

WARNING! WEAR EYE AND EAR PROTECTION SPECIFIED FOR FIREARM USE EVERY TIME YOU USE YOUR FIREARM. Ensure bystanders are also wearing appropriate eye and ear protection.

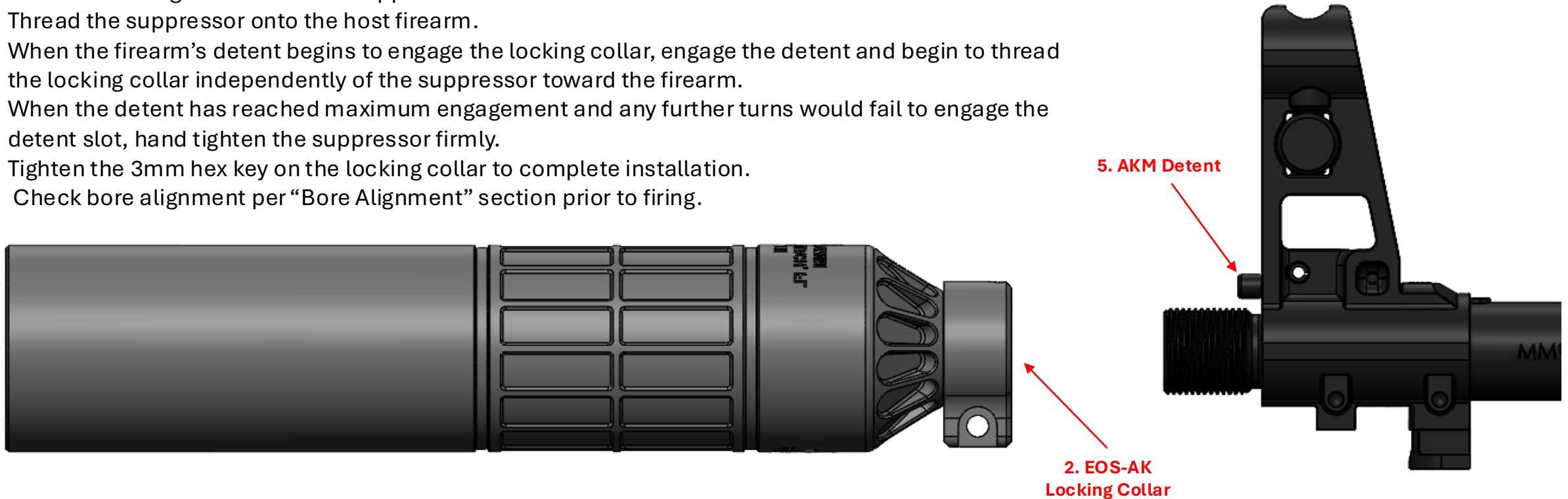


EOS-AK

The EOS-AK suppressor is optimized specifically to be used on AKM pattern rifles and pistols. The EOS-AK suppressor features a 14x1 mm direct thread mounting pattern with a retention collar designed to retain the suppressor under heavy firing schedules.

Installation

1. Verify that your host firearm is unloaded with the magazine removed and the safety engaged.
2. Tighten the locking collar to the suppressor until it stops.
3. Back the locking collar off of the suppressor one full turn.
4. Thread the suppressor onto the host firearm.
5. When the firearm's detent begins to engage the locking collar, engage the detent and begin to thread the locking collar independently of the suppressor toward the firearm.
6. When the detent has reached maximum engagement and any further turns would fail to engage the detent slot, hand tighten the suppressor firmly.
7. Tighten the 3mm hex key on the locking collar to complete installation.
8. Check bore alignment per "Bore Alignment" section prior to firing.



CLEANING AND MAINTENANCE

Regular cleaning and maintenance can extend the life of your suppressor. It is recommended to periodically inspect the suppressor and applicable muzzle devices or adaptors. Perform inspection and cleaning approximately every 1000 rounds. Abnormal environmental conditions including exposure to rain, mud, sand, or saltwater will necessitate more frequent inspection and maintenance.

1. Visual inspection of the interior for foreign particles and cracks.
2. Visual inspection of the outer surfaces for cracks and dents, especially in the muzzle area.
3. Shake the suppressor to determine if any loose particles are audible.
4. Clean and degrease the muzzle thread and/or the contact surfaces on the flash hider / compensator with a small brush and inspect for defects.
5. The interior may be cleaned using Suppressor specific solvent such as Breakthrough Clean Technologies® or with an ultrasonic cleaner. Take care to use a cleaning solution recommended for suppressors.
6. Rinse the suppressor and, if applicable, the flash hider/compensator with warm water.
7. Blow out the suppressor and, if applicable, the flash hider/compensator with compressed air.
8. The exterior of the suppressor may be coated with a light film of oil.



WARNING! DO NOT RUN CLEANING PATCHES THROUGH THE SUPPRESSOR BORE. Cleaning patches could become lodged in the suppressor leading to damage to the suppressor and host firearm.



NOTE: DO NOT USE ANY CLEANING OR LUBRICATION PRODUCTS UNLESS THEY ARE SPECIFICALLY DESIGNED FOR FIREARMS USE. USE OF WIRE BRUSHES ON EXTERIOR SURFACES CAN PERMANENTLY SCRATCH OR MAR THE FINISH.

LIMITED LIFETIME WARRANTY



WARNING! Altering or modifying your suppressor is dangerous and will void the warranty.

This suppressor was manufactured to perform properly with the original parts as designed. It is your duty to make sure any parts you buy are made for this suppressor and are installed correctly. Your suppressor is a precision tool with parts that must relate correctly to other parts to ensure proper and safe operation. Using incorrect parts or faulty assembly can result in injury or death to the shooter or bystanders and damage to property.

Your US Palm suppressor is warranted against defects in materials and workmanship for the serviceable life of the product. If we cannot repair your suppressor, we will replace it with a suppressor in equal or better physical condition.

This warranty does not cover loss, theft, deliberate damage, corrosion, neglect, abuse or unreasonable use, misuse, defects or malfunctions resulting from misuse, ammunition failures or use of defective or improper ammunition, lack of maintenance, non-factory part installations, alterations or modifications to the firearm, disassembly beyond the field stripping instructions in the product's manual (where applicable), normal or ordinary wear and tear, criminal misuse, negligence, use under the influence of drugs or alcohol, or cosmetic damage that does not hinder the performance of the product.

DISCLAIMER

UNDER NO CIRCUMSTANCES SHALL US PALM OR CENTURY ARMS BE RESPONSIBLE FOR INCIDENTAL OR CONSEQUENTIAL DAMAGES WITH RESPECT TO ECONOMIC LOSS, INJURY, DEATH, OR PROPERTY DAMAGE, WHETHER AS A RESULT OF BREACH OF THIS WARRANTY, NEGLIGENCE, OR OTHERWISE.

Some states do not allow the exclusion or limitation of incidental or consequential damages, so the above limitation or exclusion may not apply to you.

US Palm or Century will not be responsible for defects or malfunctions from careless handling, unauthorized adjustments or modifications made or attempted by anyone other than a qualified gunsmith following US Palm authorized procedures, or failure to follow the disassembly instructions in this Manual.



CALIFORNIA WARNINGS



WARNING! THIS PRODUCT CAN EXPOSE YOU TO CHEMICALS INCLUDING LEAD, WHICH ARE KNOWN TO THE STATE OF CALIFORNIA TO CAUSE CANCER AND BIRTH DEFECTS OR OTHER REPRODUCTIVE HARM. For more information, go to www.P65Warnings.ca.gov.



WARNING! FIREARMS MUST BE HANDLED RESPONSIBLY AND SECURELY STORED TO PREVENT ACCESS BY CHILDREN AND OTHER UNAUTHORIZED USERS. California has strict laws pertaining to firearms, and you may be fined or imprisoned if you fail to comply with them. Visit the website of the California Attorney General at <https://oag.ca.gov/firearms> for information on fire arm laws applicable to you and how you can comply. Prevent child access by always keeping guns unloaded and locked when not in use. If you keep a loaded firearm where a child obtains and improperly uses it, you may be fined or sent to prison. If you or someone you know is contemplating suicide, please call the national suicide prevention lifeline at 1-800-273-TALK (8255).



¡ADVERTENCIA! LAS ARMAS DE FUEGO DEBEN MANEJARSE DE MANERA RESPONSABLE Y ALMACENARLAS DE MANERA SEGURA PARA EVITAR EL ACCESO DE LOS NIÑOS Y OTROS USUARIOS QUE NO ESTÁN AUTORIZADOS.

California tiene leyes estrictas relativas a las armas de fuego, y usted puede ser multado o encarcerado si no cumple con ellas. Visite el sitio web del Procurador General de California en <https://oag.ca.gov/firearms> para obtener información sobre las leyes de armas de fuego aplicables y como usted puede cumplirlas. Evite el acceso de los niños a las armas de fuego, siempre manteniendo las armas almacenadas y descargadas cuando no estén en uso. Si mantiene un arma de fuego cargada donde un niño la puede obtener y usar incorrectamente, puede recibir una multa o ser enviado a prisión. Si usted o alguien que conoce está contemplando el suicidio, llame a la línea nacional de prevención de suicidio al 1-800-273-TALK (8255).



RETURN AUTHORIZATION

To obtain warranty service, contact us at 1.561.908.7993 for a return authorization. Please note that a return authorization must be obtained prior to returning the suppressor.

US Palm
309 Sansburys Way #200
West Palm Beach, FL 33411
www.USPALM.com

US Palm Products are distributed by: Century Arms
309 Sansburys Way #200, West Palm Beach, FL 33411 www.centuryarms.com
Sales Tel: 1.800.527.1252 - 1.561.265.4530

